

Data Sheet

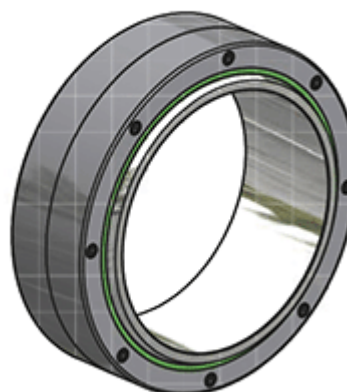
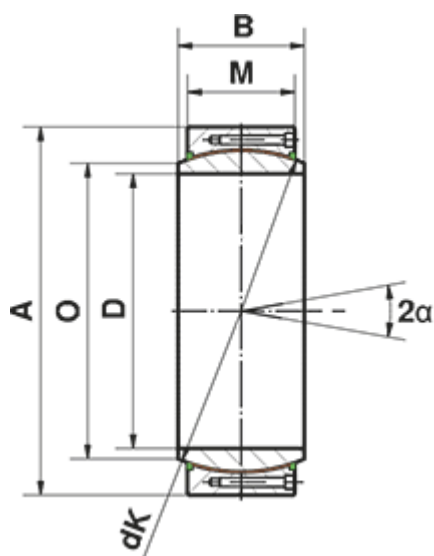


Article number: 03447340

Description: Fluro Heavy Duty Spherical Plain Bearing GE 340 CW
Hole Ø340

Note: 340

Measures



= -	D	= 340
= -	dK	= 400
= -	Dynamic load C (kN)	= 16095
= -	M	= 135
= -	O	= 366.6
A	= 460	Static load C0 (kN) = 26830
a (degrees)	= 3.8	Weight (g) = 80
B	= 160	